

WEATHERPROOFING SILICONE COLDSHRINK FOR EOL ASSEMBLY, 9.8"L

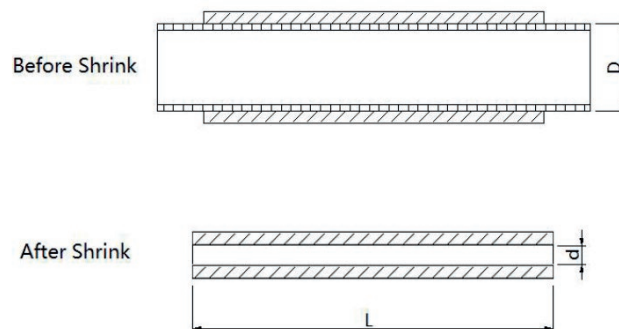
BDA-WPK-ATBC40_01

Product Features

- Silicone Rubber
- Flame Retardant UL94-HB
- Extra duration
- Weatherproof Silicon Rubber



Specifications	Value
Material	Silicone Rubber
Hardness, Shore A	35 - 45
Specific Gravity (25 °C)	1.08 1.16
Color	Grey (Pantone 431U)
Flame Retardant	UL94-HB
Tensile Strength	≥ 7.0 MPa (23 °C ASTM D412)
Elongation	≥ 650% (23 °C ASTM D412)
Tear Strength	≥ 25 KN/m (23 °C ASTM D 624)
Temperature Range	-6 0 °C 200 °C
Ozone Resistance	70h, ASTM D518-A
UV Resistance	1000h, ISO4892.3 Cycle1
Mold Resistance	IEC60068-2-10 , Class 1
Hose Clamp	Includes 2 (16-25 mm)
Life Time	20 Years
IP Grade	IPx8 (IEC 60529)
Dimensions	40 x 10 x 250 mm



DOC HON-62100.00 - 11272020 - DMC

Honeywell Business Solutions
715 Peachtree Street NE
Atlanta, GA 30308
www.honeywell.com

HON-62100.00 • 11272020
©2020 by Honeywell International Inc. All rights reserved.
Unauthorized use of this document is strictly prohibited.
This document is not intended to be used for installation purposes. We try to keep our product information up-to-date and accurate. We cannot cover all specific applications or anticipate all requirements. All specifications are subject to change without notice.
Country of origin: U.S.A.

**THE
FUTURE
IS
WHAT
WE
MAKE IT**

Honeywell