

# FIRE ALARM CALL POINTS

## Explosion-proof, Weatherproof

### SM87 PBL Range



**Now UL listed to +158°F (+70°C)  
Ambient Temperature**

## Introduction

These fire alarm call points have been designed for the most arduous environmental conditions. The units are both easy to install and maintain. Versions of this model are available with various options including an addressable module. The marine grade alloy makes the unit suitable for offshore industries.

**European, Russian, Chinese and other worldwide approvals are available, refer to main section of catalog.**

- ★ UL listed – Class I, Div. 1, Groups C & D.  
– Class I, Zone 1.
- ★ CSA certified.
- ★ ATEX approved.
- ★ NEMA 4x and 6, IP66 & 67.
- ★ \*Certified temperature  
–40°F to +158°F.  
–40°C to +70°C.
- ★ Marine grade alloy.
- ★ Robust yet lightweight.
- ★ Easy to maintain.
- \*Depending on version.

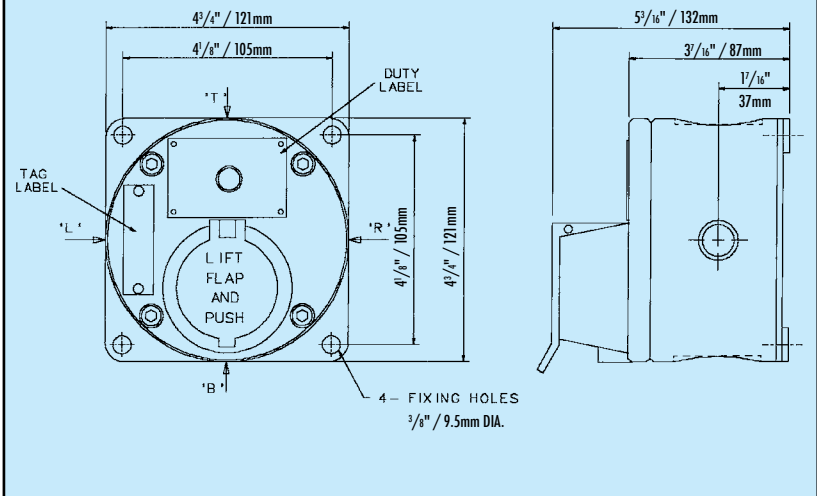
MEDC Ltd, Colliery Road,  
Pinxton, Nottingham NG16 6JF, UK.  
Tel: +44 (0)1773 864100  
Fax: +44 (0)1773 582800

MEDC International, 5829 West Sam Houston Parkway,  
North, Suite 1005, Houston, Texas 77041, USA.  
Tel: +1 (713) 937 9772  
Fax: +1 (713) 937 9773

Sales Enq. Fax: +44 (0)1773 582830 Sales Orders Fax: +44 (0)1773 582832  
E-Mail: sales@medc.com Web: www.medc.com



ALL DIMENSIONS IN INCHES AND MILLIMETERS



## Specification

Certification: UL listed for USA and Canada  
 ULC listed for Canada  
 Class 1 Div 1 Groups C & D and Class 1, Zone 1.  
 UL Listing No. E186629  
 ULC Listing No. E320282  
**CSA Certification:**  
 I.S. Version - Class 1, Groups A-D.  
 Exd Class 1, Div 2 1/2 Group D.  
 Enclosure type 4, Cert. No. 79120.  
**ATEX approved:**  
 EN50014, EN50018.  
 Cert. No. Baseefa 03ATEX0075.

Voltage:	24V a.c./d.c.
Rating:	2 amp. (30mA max. with LED)
Switches:	2 pole c/o, wired to terminals.
Terminals:	Will accept up to 14AWG cable.
Entries:	Up to 4 x 1/2" or 3/4" NPT
Optional Indicator:	A red high intensity LED can be fitted for alarm indication.
Material:	LM 25 TF Marine Grade Alloy.
Weight:	5.5 lb/2.5kg (approx.).
Finish:	Epoxy paint finish as standard or to customer's specification.
Certified Temperature:	UL/ULC -40°F to +158°F (-40°C to +70°C) -4°F to +131°F (-20°C to +55°C) LED version only. CSA: -58°F to +131°F (-50°C to +55°C) (Exd). -58°F to +104°F (-50°C to +40°C) (Exi).
Ingress Protection:	NEMA 4x and 6, IP66 & 67. SM87 PB IP68 (40m for 8 hours).
Addressable:	Consult MEDC for specification.
Resistor Values:	470R minimum (d.c. & I.S. units only).

## Ordering Requirements

The following code is designed to help in the selection of the correct unit. Build up the reference number by inserting the code for each component into the appropriate box.

Unit Type	Model	Material	Certification	Entries	Duty Label	Tag Label	Features	Finish
<b>SM87</b>	<b>PBL</b>	<b>A</b>						

To order ATEX approved version see European data sheet.	Certification	Code
	UL Listed	UL
	ULC Listed	UC
	CSA-Exd*	DC
	CSA-Exi*	IC
*Other SM87 CSA Certified models are available. See European data sheet for details.		

Entries	Code
1/2" NPT	3
3/4" NPT	4
Please specify	
Top	*T
Bottom	*B
RHS	*R
LHS	*L
*prefix position with size code i.e. 3T 3B = 1/2" NPT Top and Bottom	
† Max. 3 entries on ULC versions.	

Label	Code
Push Button	2
Fire-Push Button	3
ESDO-Abandon	4
FIRE/FEU	5**
Other	O*
*Please specify	
** This option must be used when ordering a red callpoint for ULC Fire Alarm applications.	

Tag Label	Code
Required	Y
Not Required	N

Features	Code
Not required	N
LED	A
Series Resistor	†G
EOL Resistor	†H
Diode	*D
Addressable Module	††M
* Specify values.	
† d.c. and I.S. units only.	
†† Not available on ULC version	

Finish	Code
Red	R
Blue	B
Yellow	Y
Yellow/Black Stripes	X
Special Finish	S

NOTE: The units can be internally wired to suit customers specifications. Please discuss your requirements with us.



All the above specifications, dimensions, weights and tolerances are nominal (typical) and MEDC reserve the right to vary all data without prior notice. No liability is accepted for any consequence of use.