

# MPS-950B Series

## Non-Coded Manual Fire Alarm Pull Stations



Conventional Initiating Devices

### General

Notifier's **MPS-950B Series** Pull Stations provide manual fire reporting. The MPS-950B Series manual stations are non-coded, normally-open contacts, manual initiating alarm pull stations.

### Features

- ULC Listed
- Durable extruded aluminum construction
- Attractive low-profile design
- Standard single-gang mounting
- Easy identification
- Converts to double action with optional kit (MPS-DALK)
- Two-stage option
- Key-switch available

### Construction

The MPS-950 Series Pull Stations are constructed of curable extruded aluminum and finished in red baked enamel. An abrasion resistant label with large, raised letters provide clear, legible, bilingual instructions to facilitate identification and operation.

The rectangular, low-profile design blends with modern architectural decor. The manual pull stations consist of a pull-down door and its support, both made of extruded aluminum, and are designed for semi-flush mounting on a single-gang box.

All MPS-950 pull stations can be easily converted from single-action to double-action with the addition of the MPS-DALK double-action kit.

### Installation

The station mounts with two screws (supplied) to a standard single-gang electrical box. It can also be mounted to a surface box (NBS-950). The terminal block with screws allows for quick and easy connections.

### Operation

Pulling on the station's handle will release the internal switch to trigger the alarm detection circuit.

Resetting is accomplished by inserting a 1/8" screwdriver from the front. The handle, once pulled, will remain open and cannot be reset without using a screwdriver.

The **MPS-950KB** and the **MPS-950KB-20C** (two-stage versions) also provide a key switch which is accessible after the handle has been pulled. Operation of the key switch, when connected to a separate general alarm circuit, will initiate the second stage of a two-stage alarm signaling system. A special key is supplied with each unit.

The MPS Series of pull stations are also available with additional N.C. contacts. This optional contact will operate when the handle has been pulled.



### Specifications

#### PHYSICAL

Height: 4.5" (11.43 cm)

Width: 3.5" (8.9 cm)

Depth: 0.75" (1.9 cm)

#### ELECTRICAL

Switch rating all models:

1 A @ 30 VDC, 0.1 A @ 125 VAC

mounts to 2" x 4" x 2.25" outlet box.

### Ordering Information

**MPS-950B:** Single-Stage Pull Station

**MPS-950KB:** Two-Stage Pull Station with keyswitch

**MPS-950B-20C:** Single-Stage Pull Station with additional N.C. contact

**MPS-950KB-20C:** Two-Stage Pull Station with additional N.C. contact; keyswitch

**MPS-DALK:** Double-Action Lever Kit (converts any of the above).

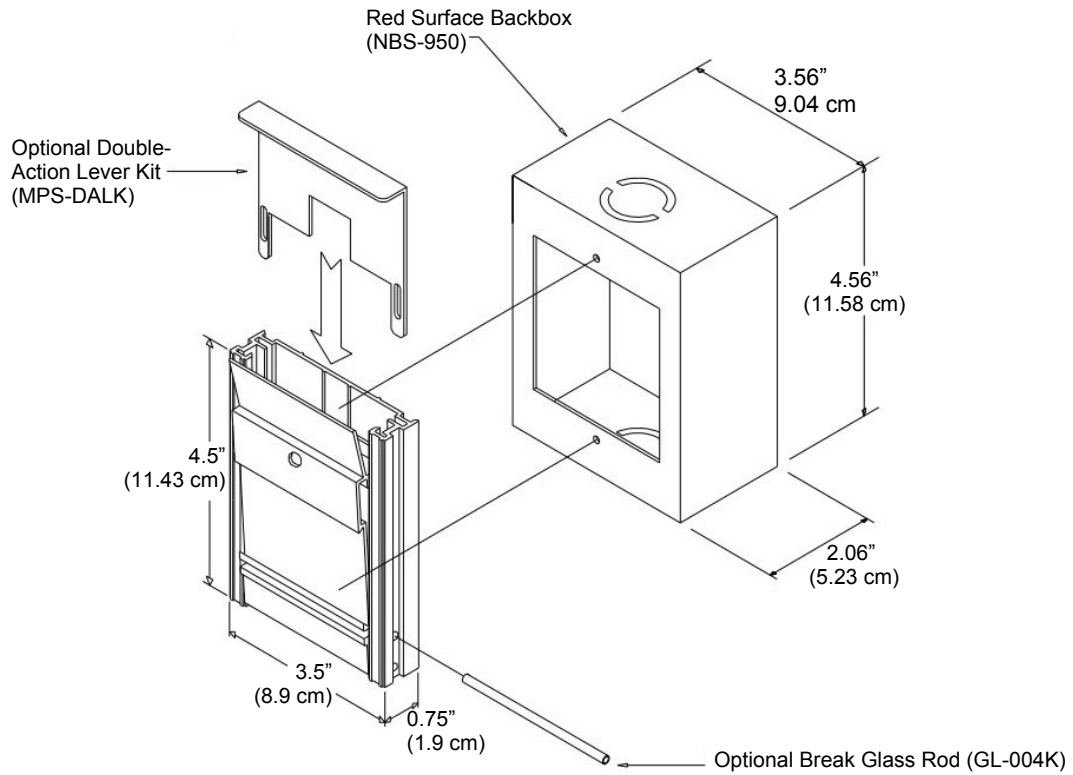
**NBS-950:** Surface mount box

**GL-004K:** Break Glass Rods for MPS-950B Series (pack of 10)

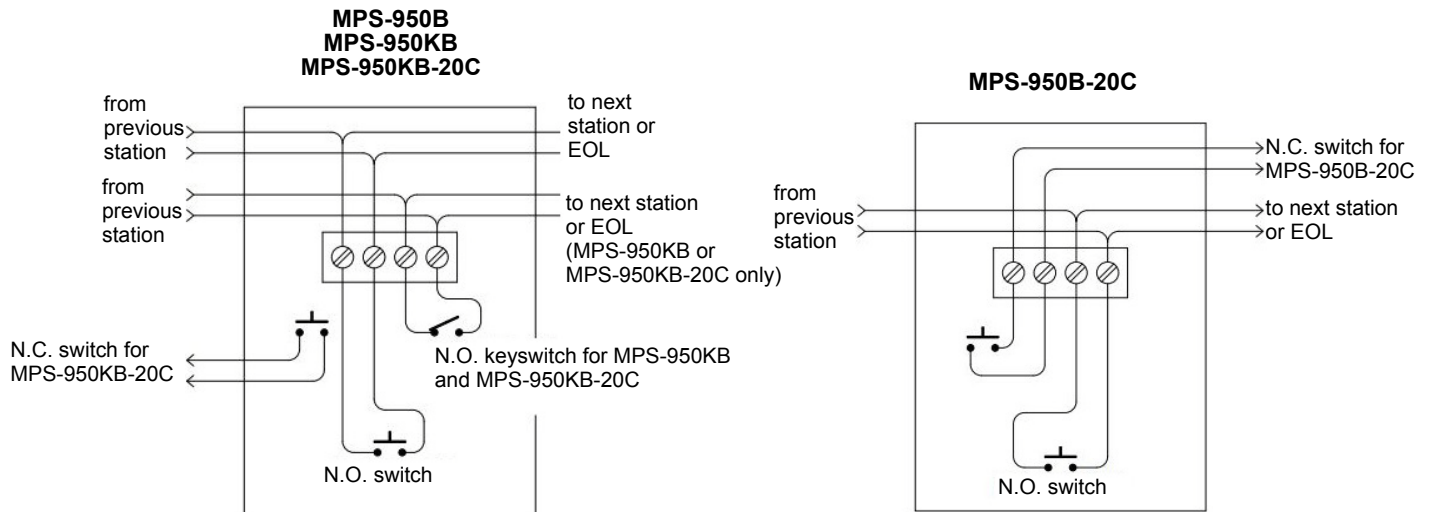
### Agency Listings

ULC: S6919

## Dimensions



## Wiring Diagrams



Wire as shown so that supervision of connections is maintained.

NOTIFIER® is a registered trademark of Honeywell International Inc.  
©2016 by Honeywell International Inc. All rights reserved. Unauthorized use of this document is strictly prohibited.



This document is not intended to be used for installation purposes. We try to keep our product information up-to-date and accurate. We cannot cover all specific applications or anticipate all requirements. All specifications are subject to change without notice.

For more information, contact Notifier.  
(888) 289-1114  
10 Whitmore Road  
Woodbridge, Ontario L2L 7Z4  
www.notifier.com

